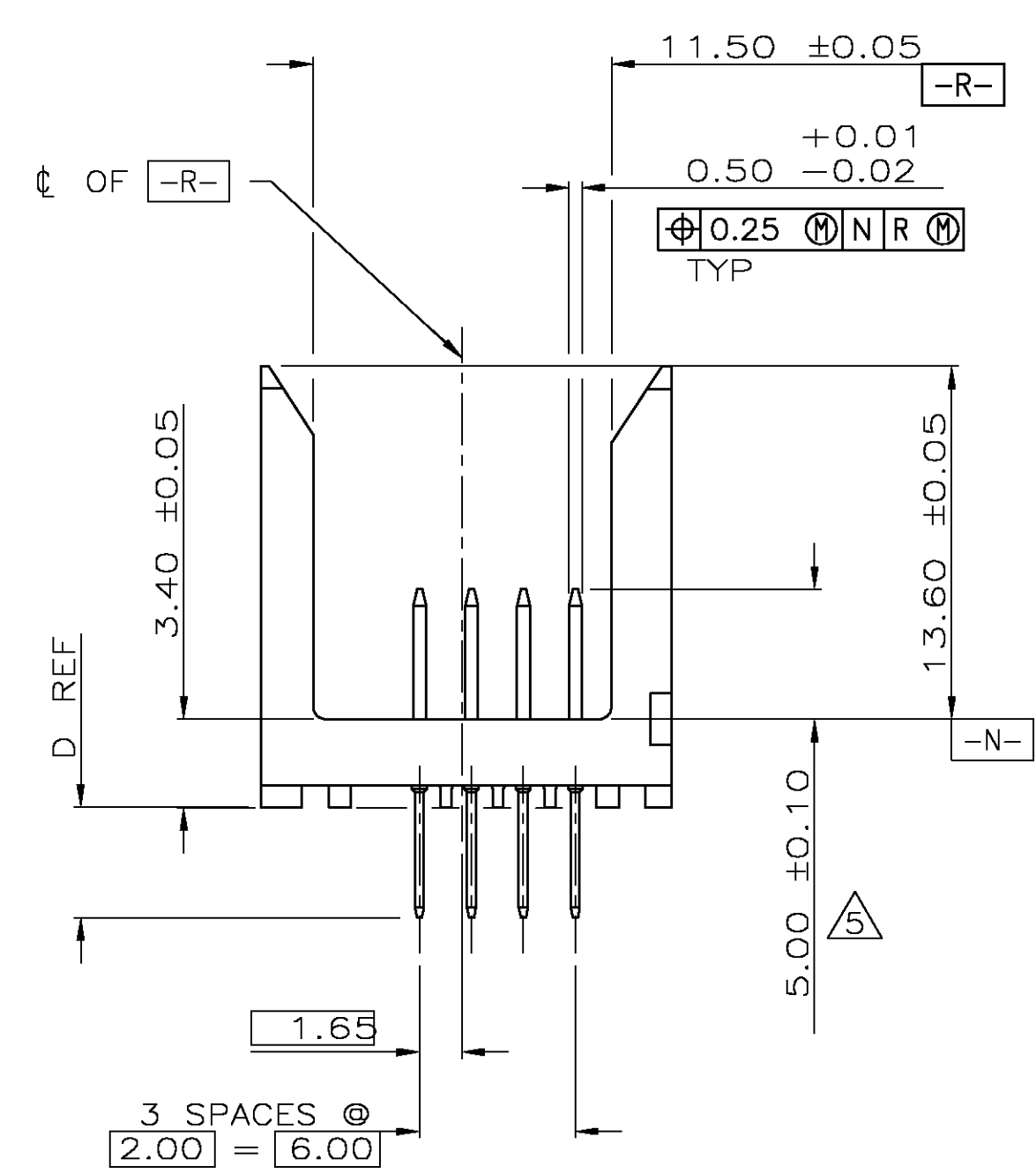
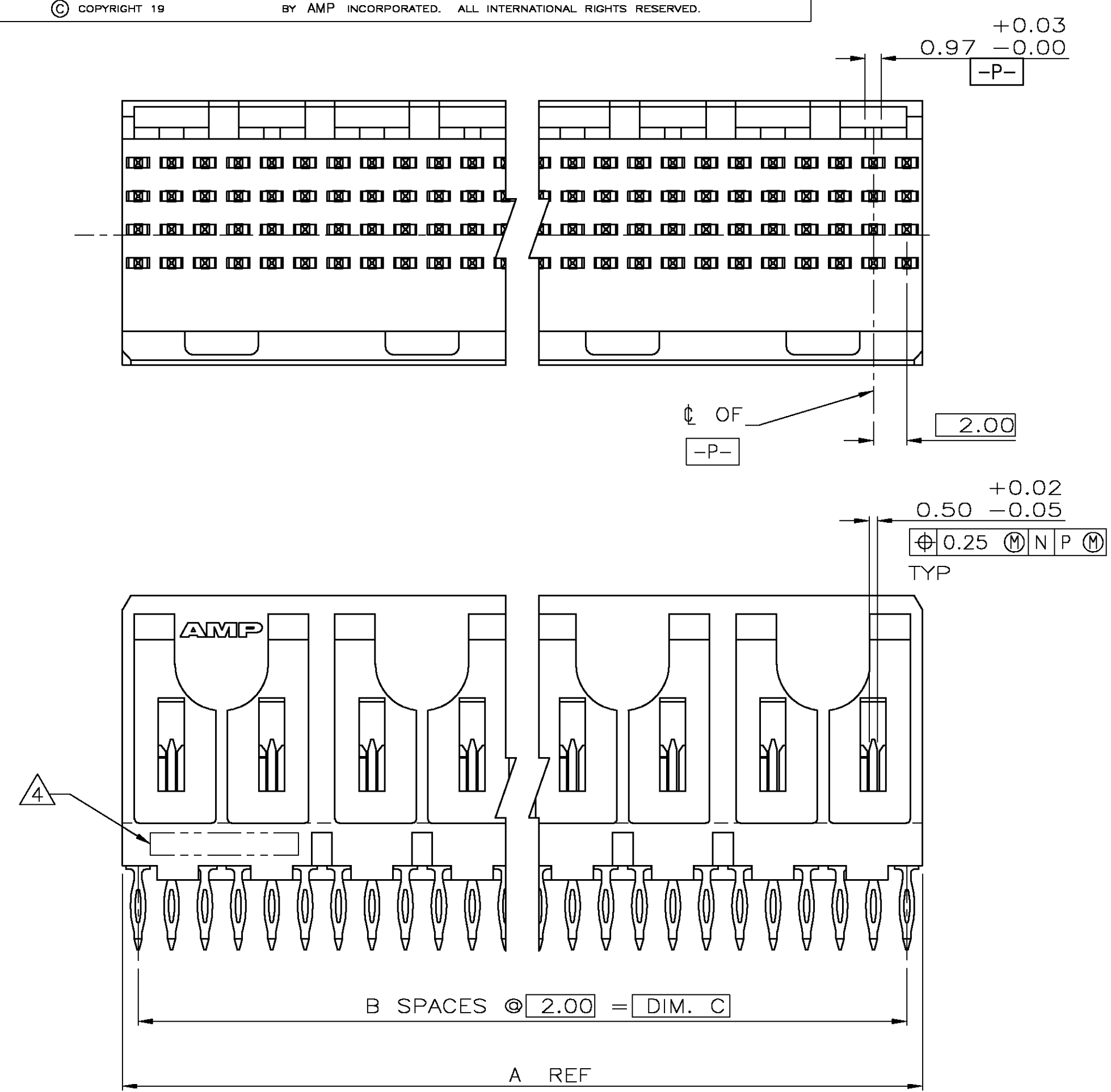
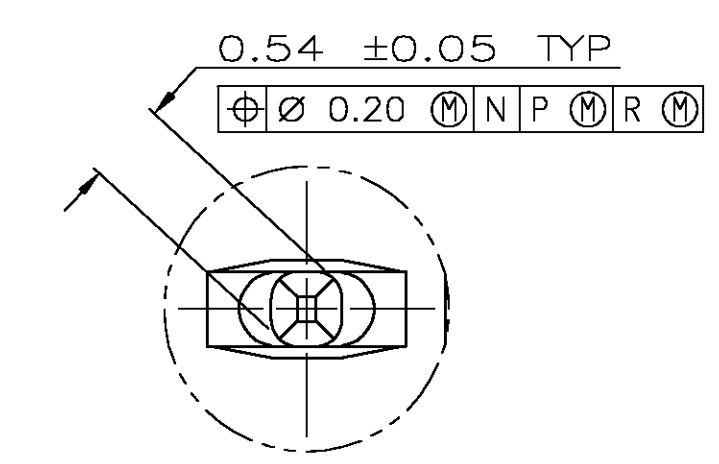
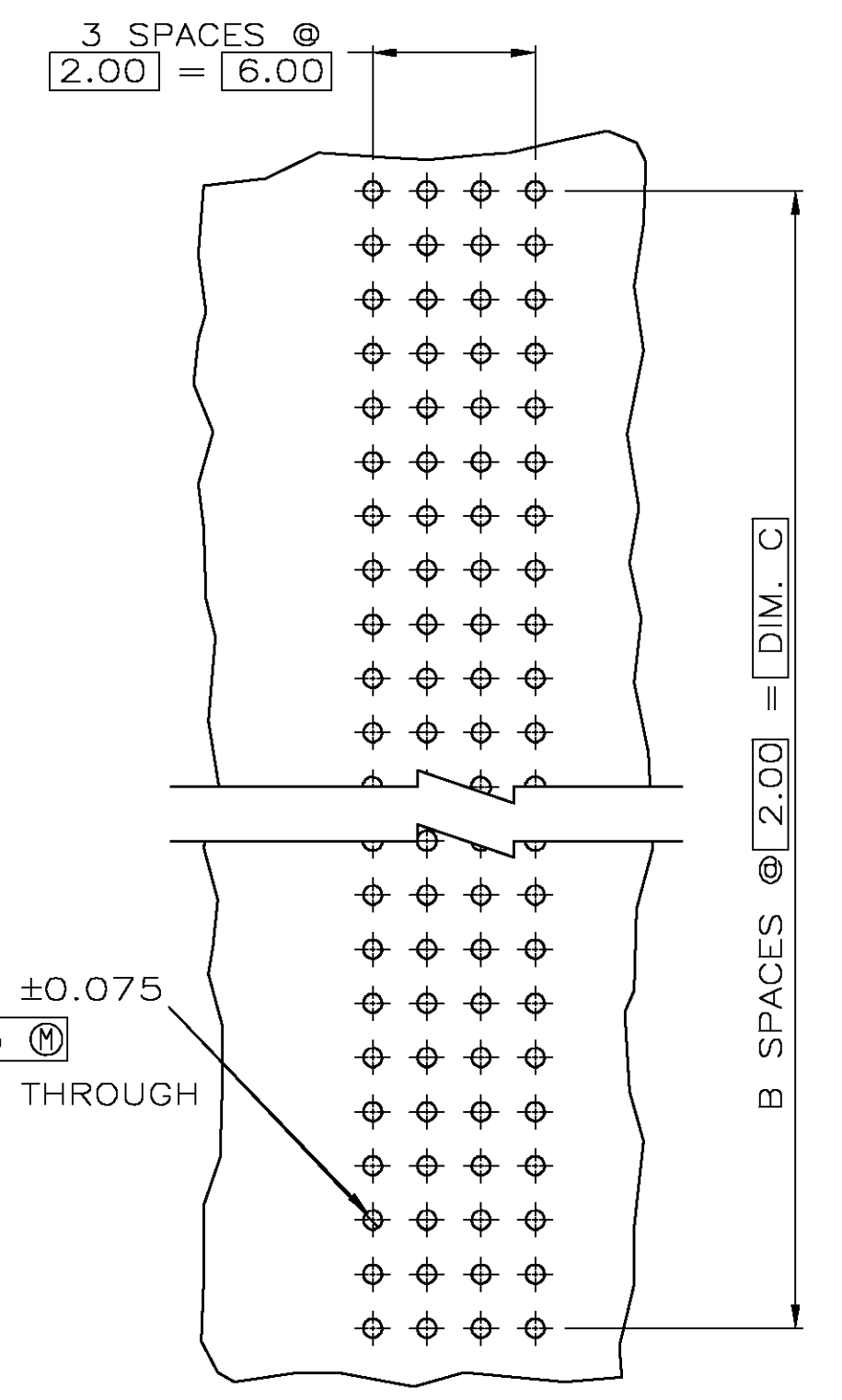
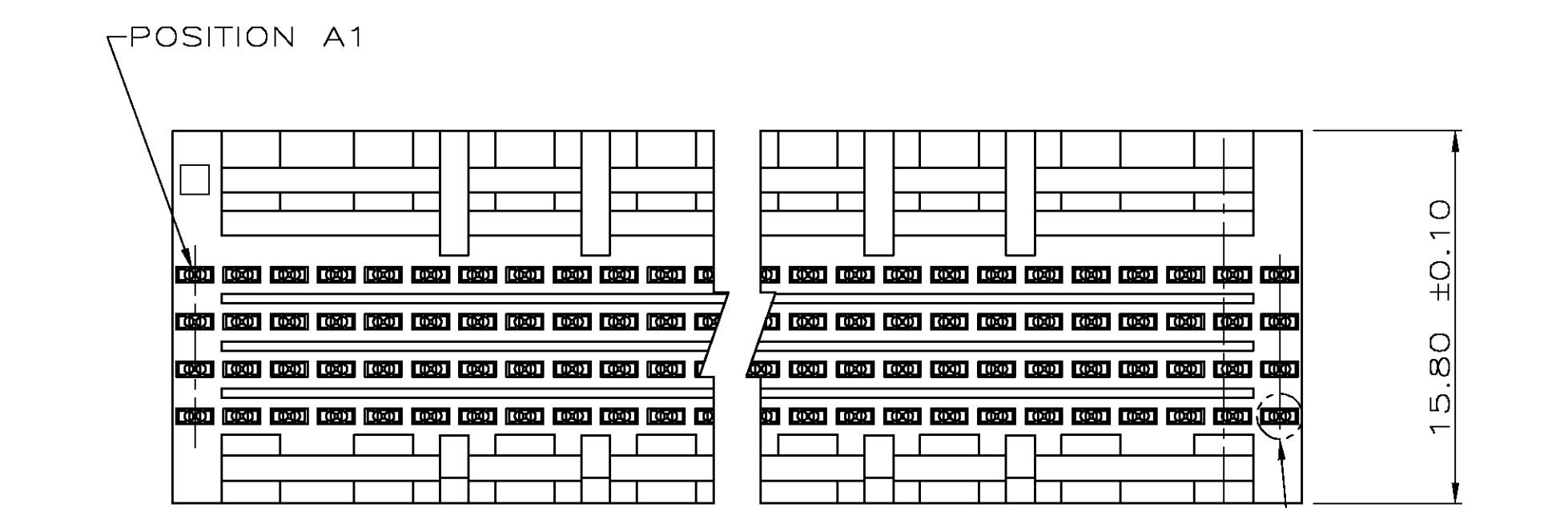


LOC		DIST		REV		REVISIONS			DATE	APPD
AD	47	P	F	ZONE	LTR	DESCRIPTION				
				N		REV PER EC 0S12-0414-03		24FEB04	RW	



- ⚠ HOUSING MATERIAL: LIQUID CRYSTAL POLYMER PER ASTM D5138 LCPO00 G30A 32250.
- ⚠ CONTACT MATERIAL: PHOSPHOR BRONZE.
- ⚠ CONTACT FINISH:
 UNDERPLATE (ENTIRE CONTACT):
 0.00127 MIN NICKEL.
 ON MATING SURFACES:
 CONFORMS TO ALL TESTING SPECIFIED FOR TELCORDIA UNCONTROLLED ENVIRONMENT.
 ON LEADS
 0.0006 MIN TIN-LEAD OVER UNDERPLATE.
 LUBRICATION (ENTIRE CONTACT):
 SURFACE CONDITIONER PER AMP SPEC 112-1002 AFTER PLATING.
- ⚠ PART MARKING PER AMP INCORPORATED SPECIFICATION 115-9009, LOCATED APPROXIMATELY AS SHOWN.
- ⚠ DIMENSION APPLIES WHEN SEATED ON PRINTED CIRCUIT BOARD.



4.25	58.00	29	59.88	⚠	120	536514-6
4.25	72.00	35	71.88	⚠	144	536514-5
4.25	94.00	47	95.88	⚠	192	536514-4
4.25	46.00	23	47.88	⚠	96	536514-3
4.25	22.00	11	23.88	⚠	48	536514-2
4.25	10.00	5	11.88	⚠	24	536514-1
D	C	B	A	FINISH	NO OF POSN	PART NUMBER

DO NOT SCALE PRINT. UNLESS SPECIFIED DIMENSIONS IN MILLIMETERS TOLERANCES ON : 2 PLG DEC ± 0.13 3 PLG DEC $\pm -$ ANGLES $\pm -$ MATERIAL		DR 04/01/93 D.R.BENDER CHK 04/05/93 S.HEADER APPD 04/02/93 D.BAECHTLE APPD 04/02/93 G.PREPUTNICK PRODUCT SPEC	AMP AMP Incorporated Harrisburg, PA 17105-3608	
FINISH		APPD 04/02/93 G.PREPUTNICK APPLICATION SPEC	NAME PIN ASSEMBLY, SIGNAL MODULE, Z-PACK 2mm FB 2mm ϕ , 4 ROW, 5.00mm MATING LENGTH PRESS FIT LEAD	
WEIGHT		SCALE 4:1	SIZE D	CAGE CODE 00779
			DRAWING NO C-536514	SHEET 10F 1



RECOMMENDED CIRCUIT PATTERN PER IPC-D300 TYPE II, CLASS C (COMPONENT SIDE)